



Installation Instructions of Rigid Core Vinyl Flooring

NO ADDITIONAL UNDERLAYMENT PAD NEEDED.

USE OF ADDITIONAL UNDERLAYMENT PAD WILL CAUSE FLEXION AND WILL VOID WARRANTY.

PLASTIC MOISTURE BARRIER (6 MIL) PRIOR TO INSTALLATION ON CONCRETE SLAB IS NEEDED

48 HOUR ACCLIMATION OF FLOORING REQUIRED IN HVAC CONTROLLED SPACE WHERE PRODUCT IS TO BE INSTALLED.

INSTALLATION & MAINTANENCE INSTRUCTIONS

Tools Required

Utility Knife	Small Rubber Mallet
Straight Edge	Spacers
Tape Measure	Installation Block

THIS PRODUCT HAS UNDERLAYMENT PRE-ATTACHED

General Information

All instructions and recommendations should be followed for a satisfactory installation. A minimum of a 48-hour acclimation period of the material is required prior to installation. The floor covering should be acclimated and installed in a climate-controlled environment with a temperature between 55 degrees and 85 degrees Fahrenheit, (13 degrees - 29 degrees Celsius) or average temperature of 70 degrees, (21.1 Celsius)

- Post installation temperature range is between -25- and 140-degrees F (-31.6°- 60°C).
- Avoid exposure to direct sunlight for prolonged periods, doing so may result in discoloration. During peak sunlight hours, the use of the drapes or blinds is recommended. Excess temperature due to direct sunlight can result in thermal expansion and UV fading.
- Install product after all other trades have completed work that could damage the flooring. If cabinets are to be installed on top of the flooring (including islands), that area of material must be fully adhered to the subfloor (including an additional 2'ft beyond the cabinets and islands).
- To minimize shade variation, mix and install planks from several cartons. Inspect all planks for damage before installing. If you have any concerns about the product fit or finish, SAR Floors

Technical support. Claims will not be accepted for flooring that has been cut to size and/or installed.

- Use cementations patching and leveling compounds that meet or exceed maximum moisture level and pH requirements. Use of gypsum-based patching and/or leveling compounds which contain Portland or high alumina cement and meet or exceed the compressive strength of 3,000 psi are acceptable.
- Installation Methods: Floating (on, above or below grade) / Glue Down (on, above or below grade)
- A minimum expansion space of 1/4" (6.35 mm) around the perimeter from the wall is required. For installation in areas larger than 50'x 50', 2500 sq. ft. provide a minimum expansion space of 1/2" (12.7 mm) around the
- For rooms over 25 ft. (7.6m) wide or over 40 ft. long, an additional expansion joint must be inserted. Expansion joints are also required in doorways, and between adjoining rooms or areas where adjacent flooring is installed. Use a T-molding to cover the expansion joint.
- This flooring is waterproof and reliably secures the flooring panels on all four However, excessive moisture.
- This flooring is waterproof and reliably secures the flooring panels on all four sides. However, excessive moisture in the subfloor could promote mold, mildew, and other moisture related issues like the trapping of moisture emissions under the flooring, which may contribute to an unhealthy indoor environment.
- A 6mil poly-film vapor barrier is REQUIRED on ALL Concrete Floors. Failure to do this will void your manufacturer's warranty.
- A second underlayment is allowed under any currently sold SPC Product with attached underlayment in a residential application. If installed over a second underlayment, this underlayment cannot be greater than 3 mm thick. IIC. (ASTM E492-09) and STC (ASTM E90-09) lab testing on certain SPC products tested with and without a second layer of underlayment, to date, does not indicate that a second underlayment will provide additional acoustic benefit.
- Warranty Exclusion: Environments with casters, wheelchairs, and other rolling loads are not compatible with click, floating floors due to the unusual characteristics of this type of wheel traffic. In addition, chair legs must have chair pads applied and maintained.

Prior to Installation

- Carefully check flooring material for any defects. Contact your supplier immediately if any defects are found.
- Prior to, during and post installation temperature must be maintained between 55° F and 90°F.
- Remove quarter round, baseboard molding or cover base.
- Undercut doorway moldings the thickness of the flooring.
- Cartons must be stored horizontally at all times.
- Protect carton corners from damage.
- 48 Hour acclimation of material required in HVAC controlled space between 55° F and 90°F.

Subfloor information

All subfloors must be clean, flat, dry and structurally sound. The correct preparation of the subfloor is a major part of a successful installation. Subfloor must be flat - 3/16" in 10' or 1/8" in 6'.

Wood Substrates

Do not install material over wood subfloors that lay directly on concrete or over dimensional lumber, or plywood used over concrete.

Refer to ASTM F1482 for panel underlayment recommendations.

- Do not apply sheet plastic over wood.
- Basements and crawl spaces must be dry. Use of a 6-mil polyethylene is required to cover 100% of the crawl space earth. Crawl space clearance from ground to underside of joist is to be no less than 18" and perimeter vent spacing should be equal to 1.5% of the total square footage of the crawl space area to provide cross ventilation. Where necessary, local regulations prevail.
- All other subfloors - Plywood, OSB, particleboard, chipboard, wafer board, etc. must be structurally sound and must be installed following their manufacturer's recommendations. Local building codes may only establish minimum requirements of the flooring system and may not provide adequate rigidity and support for proper installation and performance. If needed add an additional layer of APA rated underlayment, fasten and secure according to the underlayment manufacturer's recommendations.
- Resilient flooring is not recommended directly over fire-retardant treated plywood or preservative treated an additional layer of APA rated 1/4" thick underlayment should be installed.

Concrete Subfloors

New and existing concrete subfloors should meet the guidelines of the latest edition of ACI 302 and ASTM F710, "Standard practice for preparing concrete floors to receive resilient flooring", available from the American Society for testing and materials, 100 BARR HARBOR DRIVE, WEST CONSHOHOCKEN, PA 19428; 610-832-9585.

[HTTP://www.astm.org](http://www.astm.org).

- Floors shall be smooth, permanently dry, clean, and free all foreign material such as dust, wax, solvents, paint, grease, oils, and old adhesive residue. The surface must be hard and dense, and free from powder or flaking.
- New concrete slabs must be Maximum moisture level per CaCl test method is 8 lbs. per 1000 in 24 hr. Maximum.

[level for ASTM 2170 In-situ Relative humidity test method - 90%.](#)

- Do not install over concrete with a history of high moisture or hydrostatic conditions. Excessive moisture in the sub-floor could promote mold, mildew, and other moisture related issues like the trapping of moisture emissions under the flooring, which may contribute to an unhealthy indoor environment. Evolux does not warrant nor is responsible for damage to floor covering due to moisture related issues.
- PH level of concrete should be between 7-10.
- The final responsibility for determining if the concrete is dry enough for installation of the flooring lies with the floor covering Installer.

NOTE: IT MAY NOT BE THE FLOOR COVERING INSTALLER'S RESPONSIBILITY TO CONDUCT THESE TESTS. IT IS, HOWEVER, THE FLOOR COVERING INSTALLER'S RESPONSIBILITY TO MAKE SURE THESE TESTS HAVE BEEN CONDUCTED, AND THAT THE RESULTS ARE ACCEPTABLE PRIOR TO INSTALLING THE FLOOR COVERING. WHEN MOISTURE TESTS ARE CONDUCTED, IT INDICATES THE CONDITIONS ONLY AT THE TIME OF THE TEST.

Lightweight Concrete

All recommendations and guarantees as to the suitability and performance of lightweight concrete under resilient flooring are the responsibility of the lightweight concrete manufacturer. The installer of the lightweight product may be required to be authorized or certified by the manufacturer. Correct on-site mixing ratios and properly functioning pumping equipment are critical. To ensure proper mixture, slump testing is recommended.

- Lightweight aggregate concretes having dry densities greater than 90 lbs. per cubic foot may be acceptable under resilient flooring.
- Concrete slabs with heavy static and/or dynamic loads should be designed with higher strengths and densities to support such.
- Surface must be permanently dry, clean, smooth, free of all dust, and structurally.
- Perform Bond testing to determine compatibility of adhesive to the
- Three internal relative humidity tests should be conducted for areas up to 1000 One additional test, for each additional 1000 SF.

Existing Floor Coverings

Flooring can be installed over most existing hard-surface floor coverings, provided that the existing floor surface is fully adhered, clean, flat dry structurally sound and free of deflection.

Check flooring for any curled areas around the perimeter or at seams and repair if necessary. Use a good quality cementitious based embossing leveler to smooth and fill the existing floor.

- Existing sheet vinyl floors should not be heavily cushioned and not exceed more than one layer in thickness. Soft underlayment and soft substrates will compromise the product's locking ability as well as diminish its indentation resistance.
- Installation is NOT allowed over any type of carpet.
- Do NOT install over wood floors adhered to concrete.
- Never use solvents or citrus adhesive removers to remove old adhesive Solvent residue left in and on the subfloor may affect the new floor covering.

Raised Access Panel Subfloors

- Raised access panels must be stable, level, flat, free and clean of existing adhesives 24" x 24" panels are recommended.
- Over wood (variation of height) between of panels must not exceed 295" (0.75 mm)
- Gaps between panels must not exceed 039" (1mm)
- There should be no deflection of the individual panels - Concave less than 0295" (0.75 mm)

- Flatness 1/8" in 10'
- Stagger the flooring tiles/planks to overlap the access panels.
- Telegraphing of access panel seams may be visible and is not considered a product defect nor warranted by the flooring manufacturer.

If needed overlay the panels with a 1/4" (6 mm) plywood and properly fasten to the access panels prior to the installation of the floor covering. Prior to underlayment installation, repair any loose or unstable panels. Use the appropriate installation methods for the product.

Radiant Heat

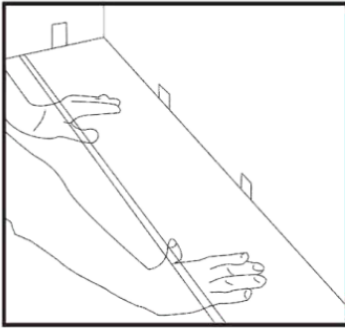
Hydronic only - Radiant heat components must have a minimum of 1/2" separation from the product. This is the only type of radiant heat system that is approved. Radiant heat system must be on and operational for at least 2 weeks prior to installation to reduce residual moisture within the concrete. Three days prior to installation lower the temperature to 65 degrees, after installation gradually increase the temperature in increments of 5° F to avoid overheating. Maximum operating temperature should never exceed 85°F. Use of an in-floor temperature sensor is recommended to avoid overheating.

Getting Started

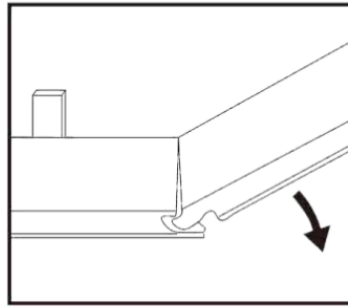
- A minimum expansion space of 5/16" (6.35 mm) around the perimeter from the wall is required. For installation in areas larger than 50'x 50', 2500 sq. ft. provide a minimum expansion space of 1/2" (12.7 mm) around the
- For rooms over 25 ft. (7.6m) wide or over 40 ft. long, an additional expansion joint must be inserted. Expansion joints are also required in doorways, and between adjoining rooms or areas where adjacent flooring is installed. Use a T-molding to cover the expansion joint.
- Rigid Core Vinyl Flooring is a floating floor and should not be glued or nailed to the substrate.
- Rigid Core Vinyl Flooring is intended for indoor use only.
- Determine in which direction the planks will be installed. It is preferred to lay the planks parallel to the longest room dimension.
- For floor surfaces exceeding 1,225 sq.ft. and/or widths/lengths exceeding 40 ft, in any direction, use transitions.
- Do not install cabinets on planks.
- Carefully measure the room to determine squareness and width of the last row of planks. The width of the last row cannot be less than 2" excluding the tongue. The width of the first row will need to be cut accordingly.
- A minimum of 5/16" expansion space is required around the perimeter of the room and all vertical objects.
- Inspect all planks for visible defects and damage in a well light area before and during installation. Do not install damaged planks. The original purchaser is responsible for approval and acceptance of all products.
- During installation, inspect the groove area and remove any debris that may prevent proper assembly of planks.

Installation

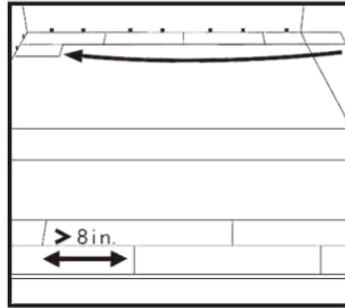
1. Begin laying planks from the left side of the starting wall and work to the right side. The tongue side of the plank shall face the starting wall.
2. Place 5/16" spacers between the short and long side of the planks and the wall. Always position one spacer between the wall and where the planks engage or join.
3. The end joints of the planks in the first row are assembled by inserting the tongue side into the groove side of the previous plank at a low angle. Gradually lower the plank down lateral until the end joint closes, ensuring that the planks are perfectly aligned.
4. Install remaining full planks in the first row.
5. The last plank in the first row will need to be cut. Measure the distance between the wall and the surface of the last full plank.
 - Subtract 5/16" from this measurement to allow for the spacer. If this measurement is less than 8", the length of the first plank in the row must be cut. This will allow for a longer plank at the end of the row. The first and last plank in each row must be at least 8" in length. Planks are cut using a sharp utility knife and straight edge/carpenter's square. Score the surface of the plank with a utility knife, and then snap the plank at the score line.
6. The remaining piece cut off from the last plank in the first row may serve as the first plank in the second row provided it is at least 8" long. Always stagger end joints from row to row a minimum of 8".
7. Install the long side of the first plank of the second row. Remember to place a 5/16" spacer between the wall and the short side of the plank. Inert the tongue side into the groove side of the previous row at a low angle and lower laterally to the substrate.
8. Install the second plank in the second. Position the long side of the plank with the tongue overlapping the grove of the planks into the previous row approximately 1/8". Then angle the end joint into the previous plank. Angle the plank up and gently push forward until the plank locks into the previous row. Continue installing remaining planks in the second row. It is important to make sure that the first two rows are straight and square as they can affect the entire installation.
9. Continue working from left to right, row by row. Be sure to maintain a 5/16" space around all walls and vertical objects and maintain a random appearance in grain design. Offset end joints and minimum of 8".



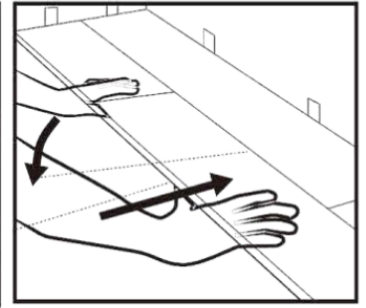
Step 1: Begin installation working from left to right. Insert 1/4" wide spacers at ends and edges where planks meet wall.



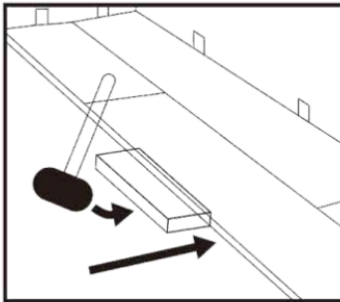
Step 2: Lock short end of plank by inserting tongue into groove at an approximate 30 degrees angle and drop into place. Continue this process throughout the installation.



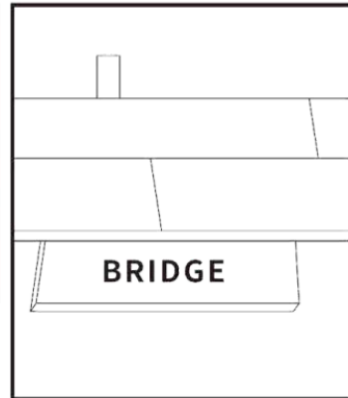
Step 3: Use the remaining plank from your cut piece to begin the next row (you will repeat this process throughout the installation). Note: It is recommended that you space end-joints by a minimum of 8 inches.



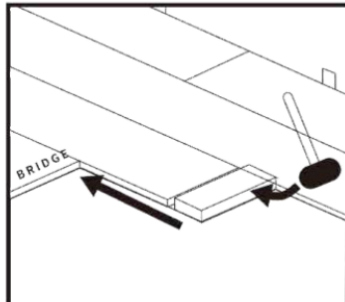
Step 4: Lock long edge of plank by inserting tongue into groove at an approximate 15 degrees angle and drop into place. Next slide toward end of previously installed plank until the tongue touches the groove.



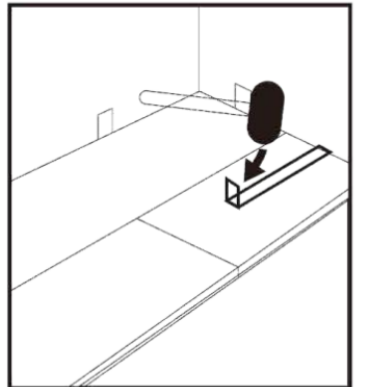
Step 5: IMPORTANT! Use a hammer and tapping block to tap the long edge of the plank to ensure a tight fit. Note: Tapping block should be a minimum of 10" to 12" long. It is important to note that any/all gapping can/will compromise the locking system.



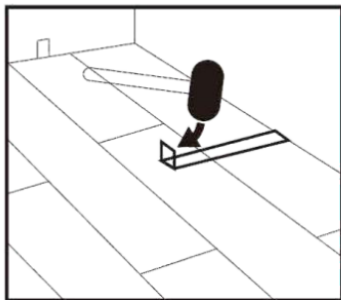
Step 6: Attach a scrap piece of floor to bridge gap between ends of planks.



Step 7: Tap end of plank with hammer and tapping block to lock ends of planks together. Remove support bridge and continue with this method until you have completed installing the row. Note: BE SURE TO TAP ON EDGE OF VINYL SO AS NOT TO DAMAGE LOCKING PROFILE.

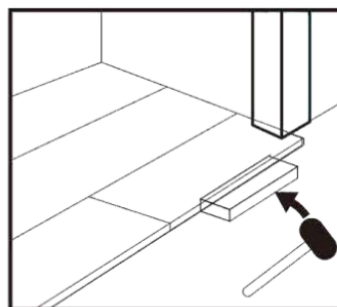


Step 8: Use hammer and pull bar to lock final piece in row. Insert spacer at end of row. Continue installation to final row.

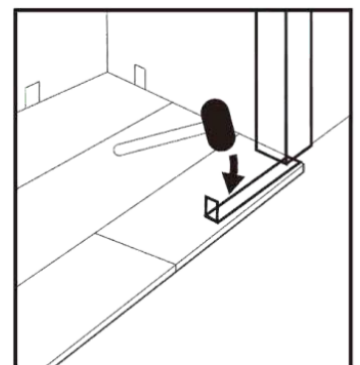


Step 9: Use hammer and pull bar to lock long edges of planks on final row.

INSTALLING UNDER DOOR JAMBS:



Step 1: Undercut door jamb to provide space to allow plank to slide freely. Tap long edge with hammer and tapping block to lock long edge.



Step 2: Use hammer and pull bar to draw and lock short end of plank.

-PLEASE NOTE-

The use of a tapping block is not necessary to install your floor. The use of a tapping block, pull bar, and rubber mallet must be used delicately to not damage the connection system or physical appearance of the floor. Damage resulted from misuse of a tapping block or mallet will not be accepted and all warranty will be void for material affected.

Finishing the Installation

- After all planks have been installed, remove spacers from the perimeter of the room.

- Install transition moldings. **Do not fasten** any moldings to or through the flooring.
- Pre-drill and install quarter round or baseboard molding to the wall. Molding must be sufficient size to cover the 5/6 " space between the floor and the wall.
- Use furniture sliders to protect the top of the flooring when moving heavy furniture or appliances into position. Use extreme caution to protect your floors.
- Use proper protectors under the legs and feet of the furniture.
- Protect all exposed edges of the flooring by installing wall molding and/or transition strips.
- Make sure that no plank will be secured in any way to the subfloor.
- For wet areas such as bathrooms caulk the perimeter of the floor with a flexible silicone caulk.
- Protect the finished flooring from exposure to direct sunlight to reduce fading and thermal expansion. Use blinds or drapes in areas of direct sunlight during peak sunlight hours.

Maintenance

- First, sweep and vacuum the floor surface to ensure removal of all loose dust dirt, and debris. Using a neutral pH cleaner to wipe surface with mop or similar applicator.
- Avoid exposure to direct sunlight for prolonged periods of time. During peak sunlight hours, use drapes or blinds to minimize the direct sunlight on the Rigid Core flooring. Most types of flooring will be affected by continuous strong sunlight. In addition, excessive temperatures are not recommended. Long term continuous inside temperatures over 95°F combined with strong direct sunlight will damage the flooring and cause the installation to fail. Some natural ventilation or intermittent air conditioning in vacant homes should be considered.
- Do not wax your flooring. The surface of your floor is very dense and nonporous, which prevents wax from penetrating and thus builds up a bed for yellowing and dirt collection. The same nonporous feature also provides all the protection against wear and staining that you will need.
- Use entrance mats to protect against grit and moisture.
- Ensure mats and rugs are not rubber-backed (of a nonstaining variety) to prevent any discoloration of the floor.
- Avoid sliding or dragging furniture or other objects across the floor. Use floor protector pads to prevent scratching.
- Use large castor cups or other means to protect against indentation from heavy furniture.
- Regularly sweep the floor to remove loose dirt or grit as these can cause fine scratches.
- For a thorough clean, a range of pH neutral cleaning materials are available. Avoid the use of abrasive household cleaners and bleach-based detergents. These could make the floor slippery or cause discoloration.
- Always mop up spills as soon as possible to reduce the risk of slipping and possible staining.
- Do not subject this flooring to standing water. This will present a slip hazard.

